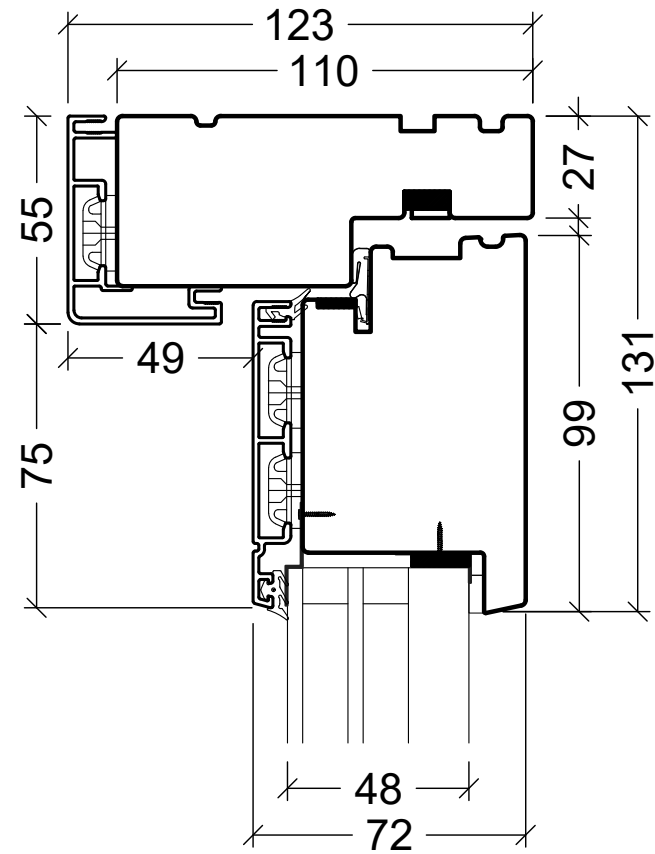
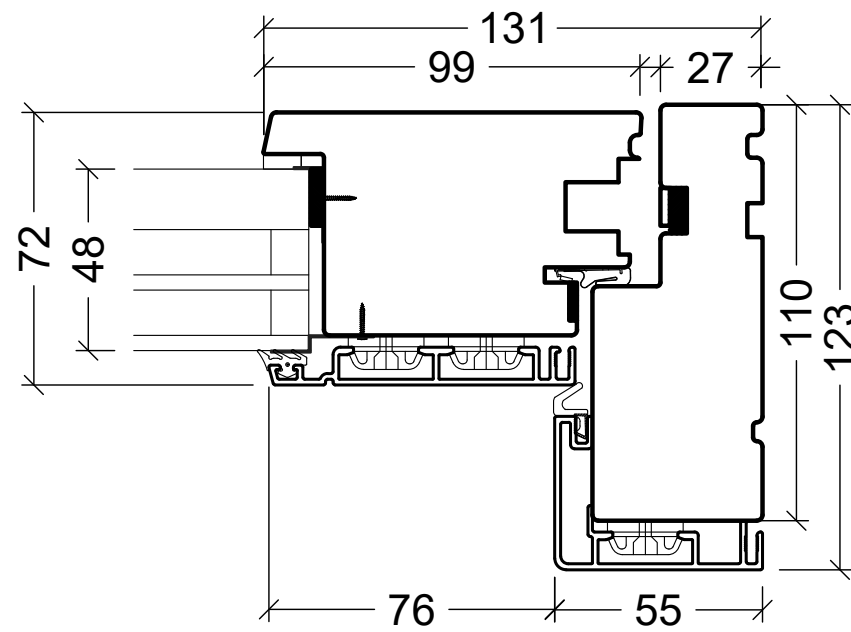


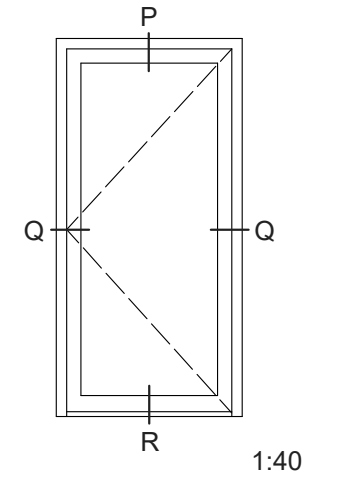
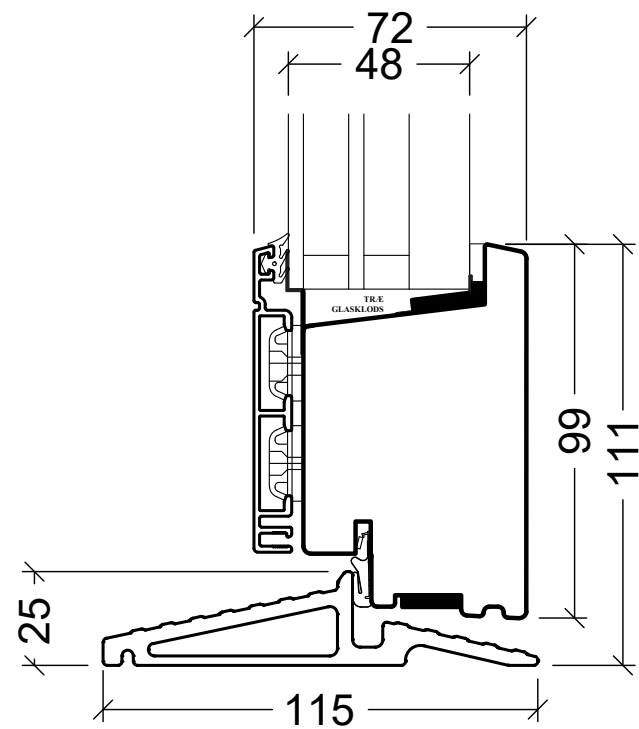
P: (3014.3848)



Q: (3014.3849)



R: (3014.3730)



rational[®]

Rational is a trademark of DOVISTA A/S

System: AURAPLUS Glazed Fire door, wood/alu

English: Inward opening

Dansk: Indadgående

Scale: 1:2 / 1:40

Edition No. 04

05.26 © 2020,2026

© DOVISTA A/S, CVR-no. 21147583. All intellectual property rights, copyright as well as all rights in know-how vest in DOVISTA A/S. This drawing may not be reproduced, stored, or transmitted in any form by any means (electronic, mechanical, photocopying, recording or otherwise) without the prior written consent of DOVISTA A/S. This drawing is to be used only for the purposes specified by DOVISTA A/S and for no other purpose. We reserve all rights to change the product and product range without notice.