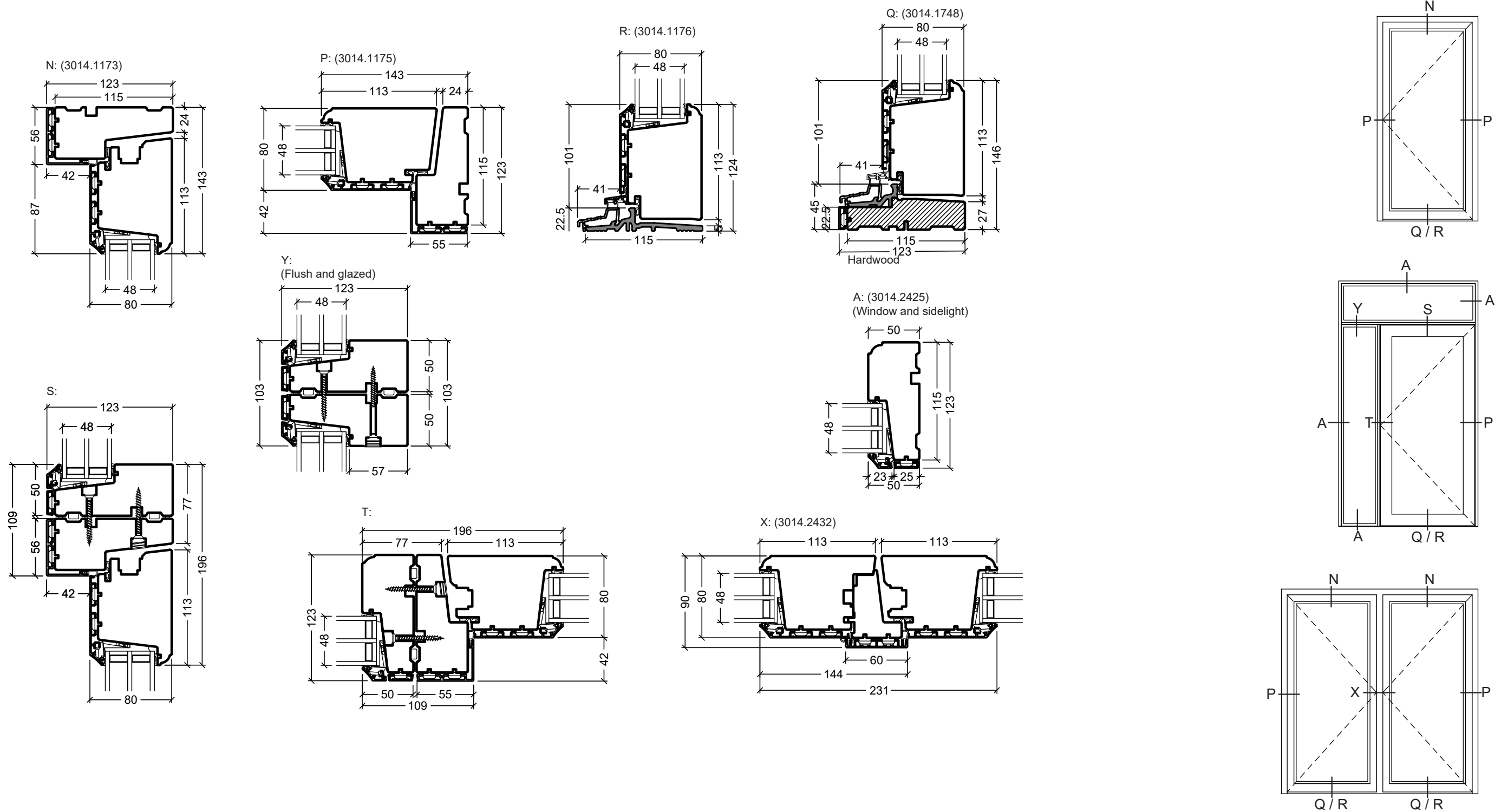

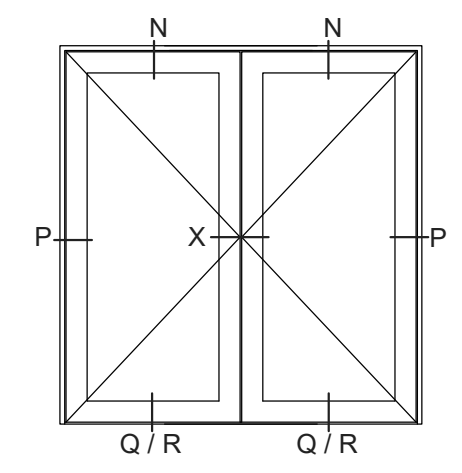
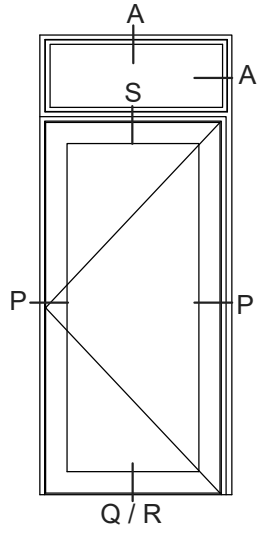
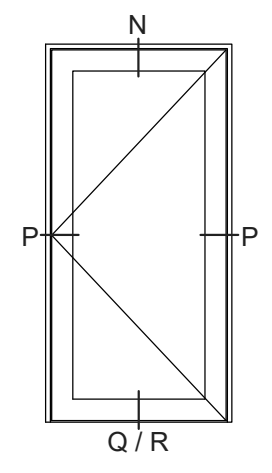
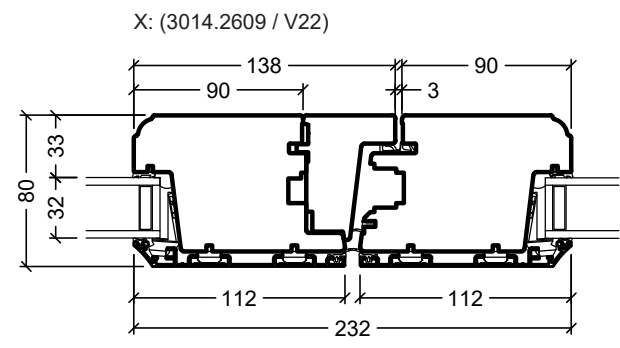
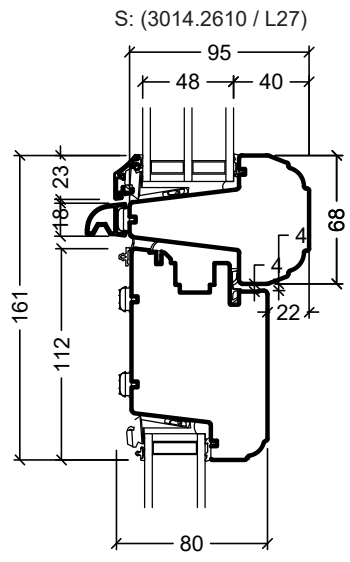
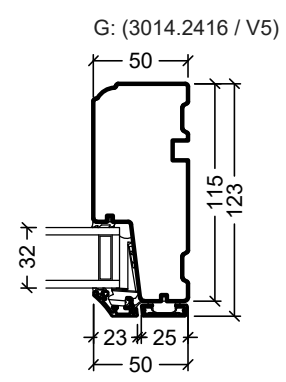
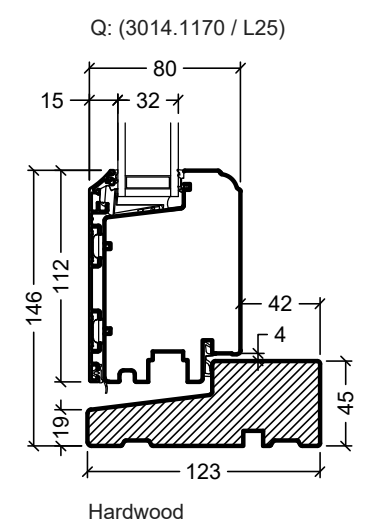
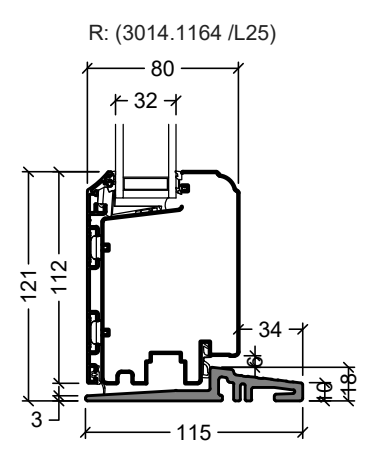
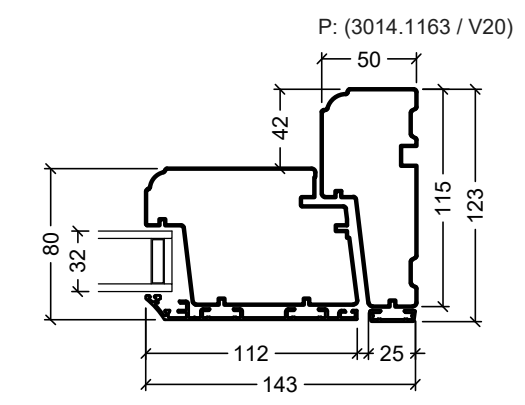
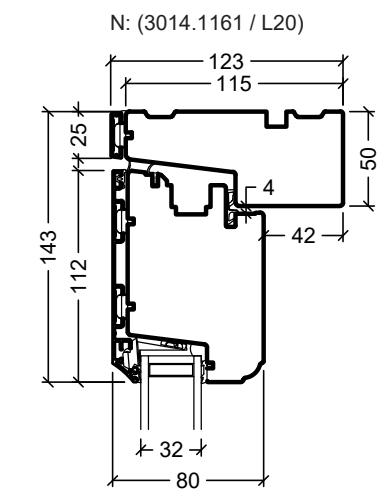
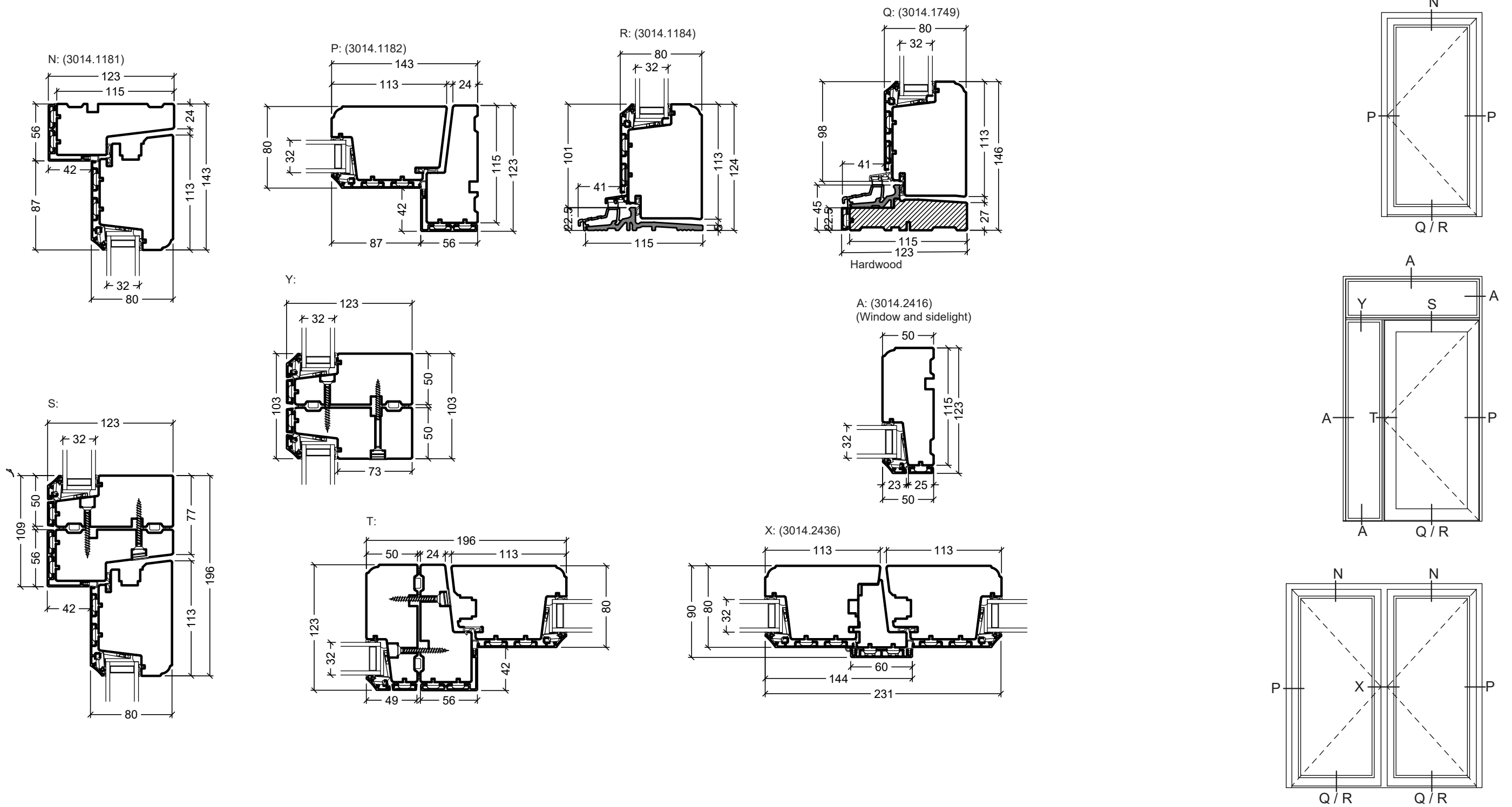
 Rationel is a trademark of DOVISTA A/S	System: Rationel Formaplus glazed door	Scale: 1:4 / 1:40
	English: Outward opening, triple glazed	Edition No. 1
	Dansk: Udadgående, 3-lags	10.21 © 2021
<small>© DOVISTA A/S, CVR-no. 21147583. All intellectual property rights, copyright as well as all rights in know-how vest in DOVISTA A/S. This drawing may not be reproduced, stored, or transmitted in any form by any means (electronic, mechanical, photocopying, recording or otherwise) without the prior written consent of DOVISTA A/S. This drawing is to be used only for the purposes specified by DOVISTA A/S and for no other purpose. We reserve all rights to change the product and product range without notice.</small>		




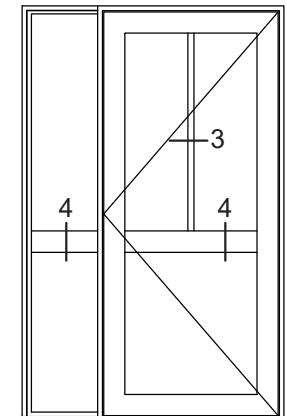
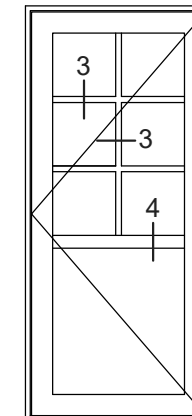
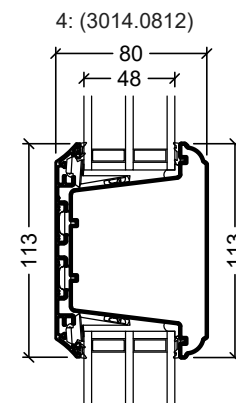
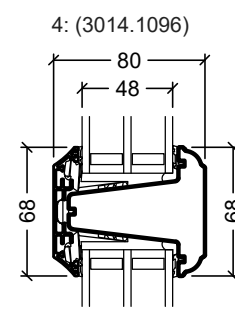
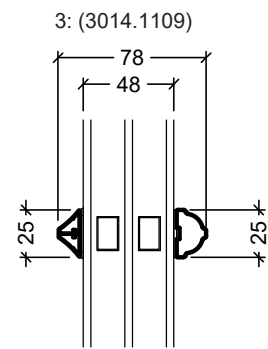
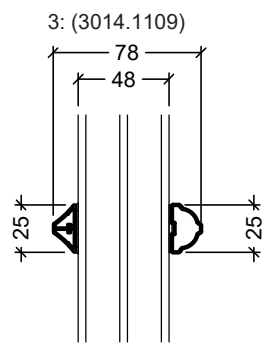
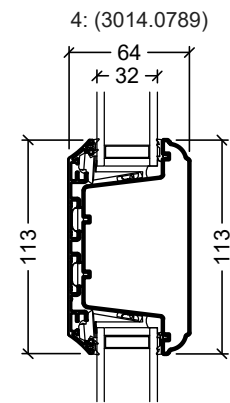
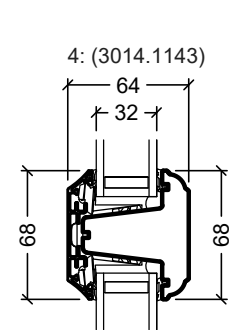
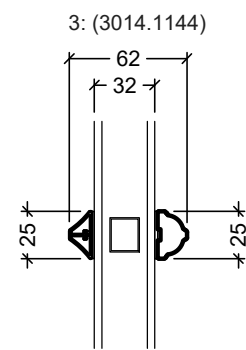
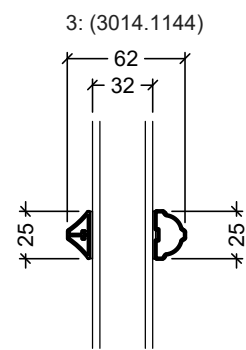
 Rationel is a trademark of DOVISTA A/S	System: Rationel Formaplust glazed door	Scale: 1:4 / 1:40
	English: Inward opening, triple glazed	Edition No. 1
	Dansk: Indadgående, 3-lags	10.21 © 2021
<small>© DOVISTA A/S, CVR-no. 21147583. All intellectual property rights, copyright as well as all rights in know-how vest in DOVISTA A/S. This drawing may not be reproduced, stored, or transmitted in any form by any means (electronic, mechanical, photocopying, recording or otherwise) without the prior written consent of DOVISTA A/S. This drawing is to be used only for the purposes specified by DOVISTA A/S and for no other purpose. We reserve all rights to change the product and product range without notice.</small>		



<p>Rationel is a trademark of DOVISTA A/S</p>	System: Rationel Formaplus glazed door	Scale: 1:4 / 1:40
	English: Outward opening, double glazed	Edition No. 1
	Dansk: Udadgående, 2-lags	10.21 © 2021
<p>© DOVISTA A/S, CVR-no. 21147583. All intellectual property rights, copyright as well as all rights in know-how vest in DOVISTA A/S. This drawing may not be reproduced, stored, or transmitted in any form by any means (electronic, mechanical, photocopying, recording or otherwise) without the prior written consent of DOVISTA A/S. This drawing is to be used only for the purposes specified by DOVISTA A/S and for no other purpose. We reserve all rights to change the product and product range without notice.</p>		



 Rationel is a trademark of DOVISTA A/S	System: Rationel Formaplus glazed door	Scale: 1:4 / 1:40
	English: Inward opening, double glazed	Edition No. 1
	Dansk: Indadgående, 2-lags	10.21 © 2021
<small>© DOVISTA A/S, CVR-no. 21147583. All intellectual property rights, copyright as well as all rights in know-how vest in DOVISTA A/S. This drawing may not be reproduced, stored, or transmitted in any form by any means (electronic, mechanical, photocopying, recording or otherwise) without the prior written consent of DOVISTA A/S. This drawing is to be used only for the purposes specified by DOVISTA A/S and for no other purpose. We reserve all rights to change the product and product range without notice.</small>		



**rational**

Rational is a trademark of DOVISTA A/S

System: Rational Formaplus glazed door

English: Glazing bars

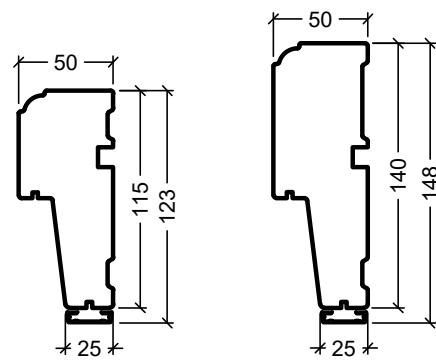
Dansk: Sprosser

Scale: 1:4 / 1:40

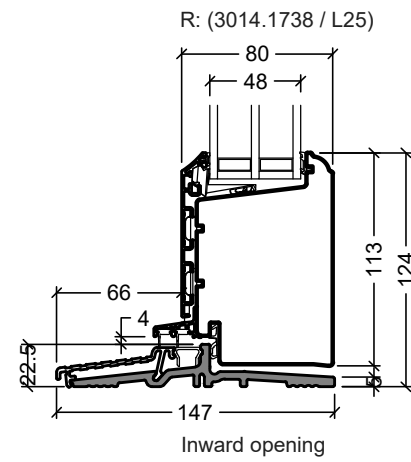
Edition No. 1

10.21 © 2021

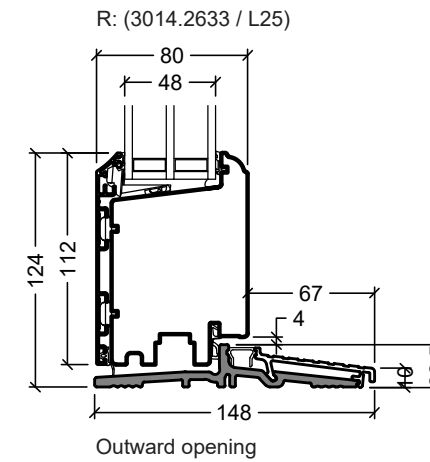
© DOVISTA A/S, CVR-no. 21147583. All intellectual property rights, copyright as well as all rights in know-how vest in DOVISTA A/S. This drawing may not be reproduced, stored, or transmitted in any form by any means (electronic, mechanical, photocopying, recording or otherwise) without the prior written consent of DOVISTA A/S. This drawing is to be used only for the purposes specified by DOVISTA A/S and for no other purpose. We reserve all rights to change the product and product range without notice.



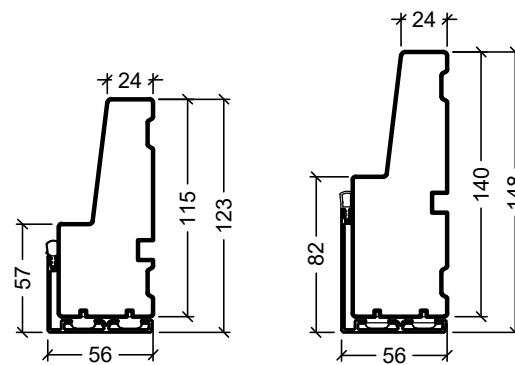
Frame variants outwards opening doors



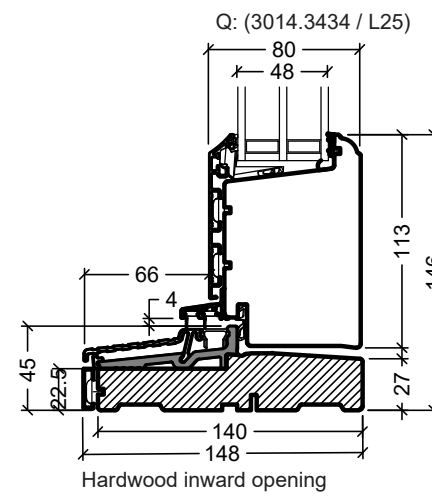
Inward opening



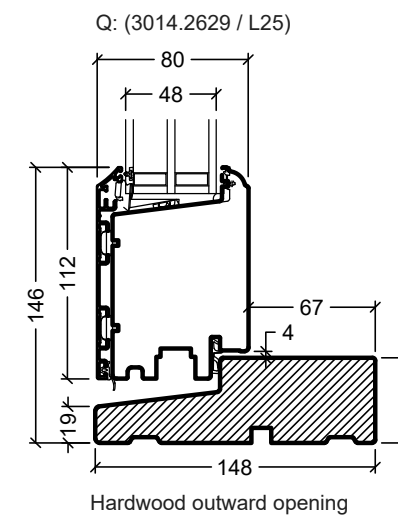
Outward opening



Frame variants inwards opening doors



Hardwood inward opening



Hardwood outward opening

**rational**

Rational is a trademark of DOVISTA A/S

System: Rational Formaplus glazed door

English: Frame and threshold variants

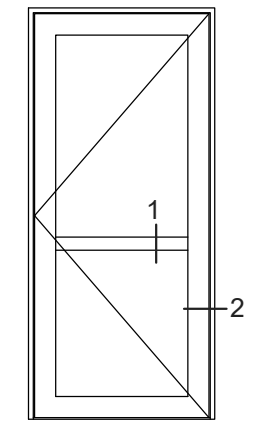
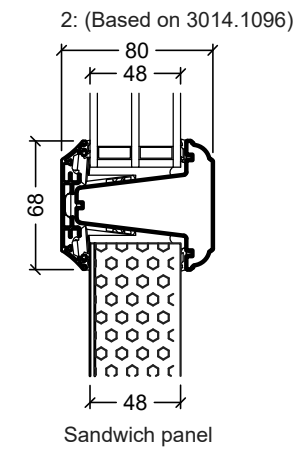
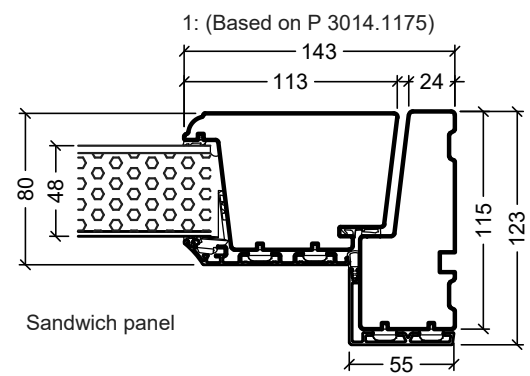
Dansk: Karmvarianter


Scale: 1:4

Edition No. 1

10.21 © 2021

© DOVISTA A/S, CVR-no. 21147583. All intellectual property rights, copyright as well as all rights in know-how vest in DOVISTA A/S. This drawing may not be reproduced, stored, or transmitted in any form by any means (electronic, mechanical, photocopying, recording or otherwise) without the prior written consent of DOVISTA A/S. This drawing is to be used only for the purposes specified by DOVISTA A/S and for no other purpose. We reserve all rights to change the product and product range without notice.



 Rationel is a trademark of DOVISTA A/S	System: Rationel Formaplust glazed door	Scale: 1:4 / 1:40
	English: Panels Dansk: Fyldninger	Edition No. 1 10.21 © 2021

© DOVISTA A/S, CVR-no. 21147583. All intellectual property rights, copyright as well as all rights in know-how vest in DOVISTA A/S. This drawing may not be reproduced, stored, or transmitted in any form by any means (electronic, mechanical, photocopying, recording or otherwise) without the prior written consent of DOVISTA A/S. This drawing is to be used only for the purposes specified by DOVISTA A/S and for no other purpose. We reserve all rights to change the product and product range without notice.