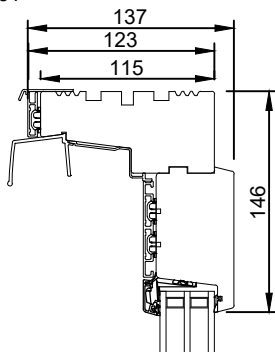
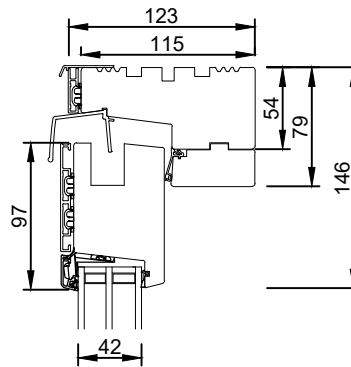


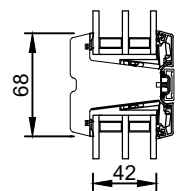
L31



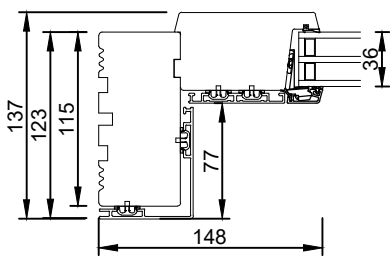
L32



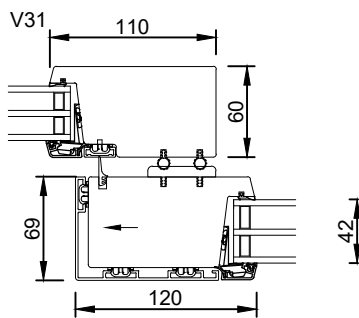
L21  
V21 ROTATED



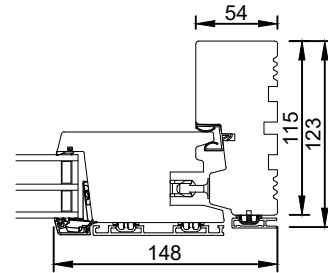
V30



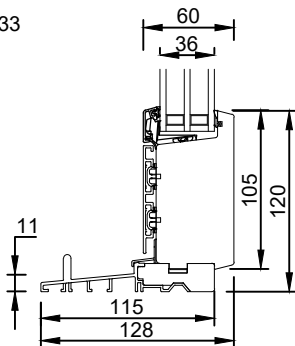
V31



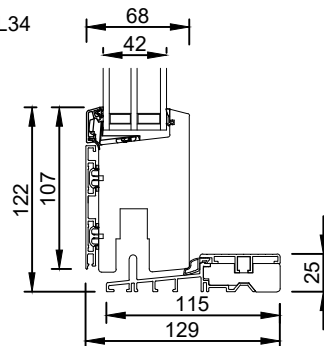
V32



L33



L34



**rationel**® AURAPLUS Sliding door  
01.11.2016

© 2005 Rationel vinduer A/S. All intellectual property rights and all rights in know-how in relation to this drawing may not be reproduced, stored, or transmitted in any form by any means (electronic, mechanical, photocopying, recording or otherwise) without the prior written consent of Rationel Windows Ltd. It is to be used only for the purposes specified by Rationel vinduer A/S and for no other purpose.